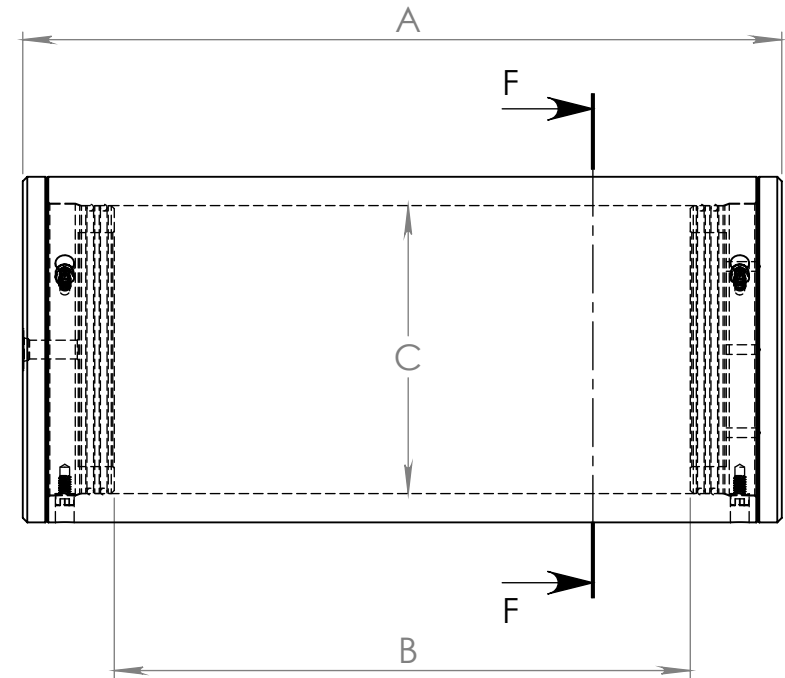
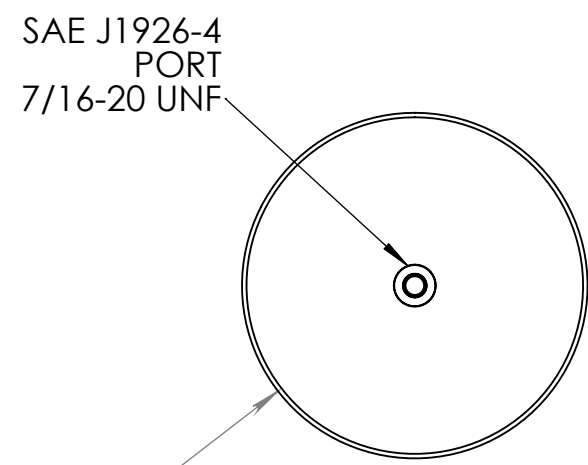
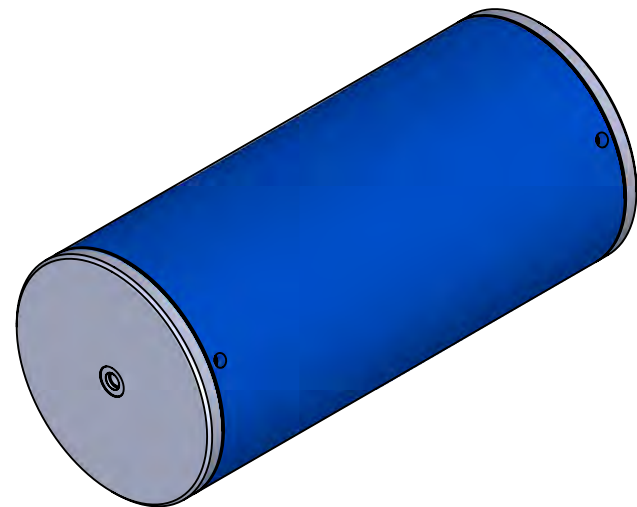
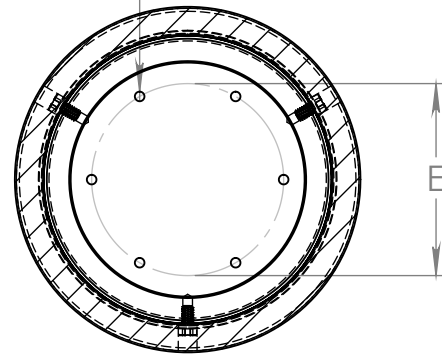


REVISIONS			
REV.	DESCRIPTION	DATE	INITIAL
00	INITIAL RELEASE	05/15/19	--



6 x 1/4-20 UNC ∇ 0.500
EQUALLY SPACED



SECTION F-F

MODEL NO.	A	B	C	D	E
19-057-A-100	9.81	6.00	6.00	7.20	4.00
19-057-A-101	15.81	12.00			
19-057-A-102	21.81	18.00			

NOTES:

1. PLASTIC ENDCAP (ACETAL): 200 METER DEPTH RATING
2. STAINLESS STEEL ENDCAP (316): 1500 METER DEPTH RATING
3. TUBE BODY: FIBER REINFORCED PLASTIC
4. CUSTOM LENGTHS, MATERIALS, COLORS AND CONNECTOR PENETRATIONS AVAILABLE AT ADDITIONAL COST.

PROPRIETARY AND CONFIDENTIAL
THE INFORMATION CONTAINED IN THIS DRAWING IS THE SOLE PROPERTY OF PRECISE DESIGN ENGINEERING SOLUTIONS. ANY REPRODUCTION IN PART OR AS A WHOLE WITHOUT THE WRITTEN PERMISSION OF PRECISE DESIGN ENGINEERING SOLUTIONS IS PROHIBITED.

DIMENSIONS ARE IN INCHES
TOLERANCES:
FRACTIONAL ± 1/32"
ANGULAR: MACH ± .5° BEND ± .5°
TWO PLACE DECIMAL ± .01
THREE PLACE DECIMAL ± .005
DO NOT SCALE DRAWING

	NAME	DATE
DRAWN	-	05/15/2019
CHECKED		
ENG APPR.		
MFG APPR.		
Q.A.		

Precise Design ENGINEERING SOLUTIONS
75 MacDonald Ave
Unit 10A
Dartmouth, NS
B3B 1T8
www.Precisedesign.ca

DESCRIPTION:
6" TUBE ASSEMBLY

SIZE DWG. NO. REV.
B A-100 PRO 0.0

SCALE: 1:4 WEIGHT: SHEET 1 OF 1