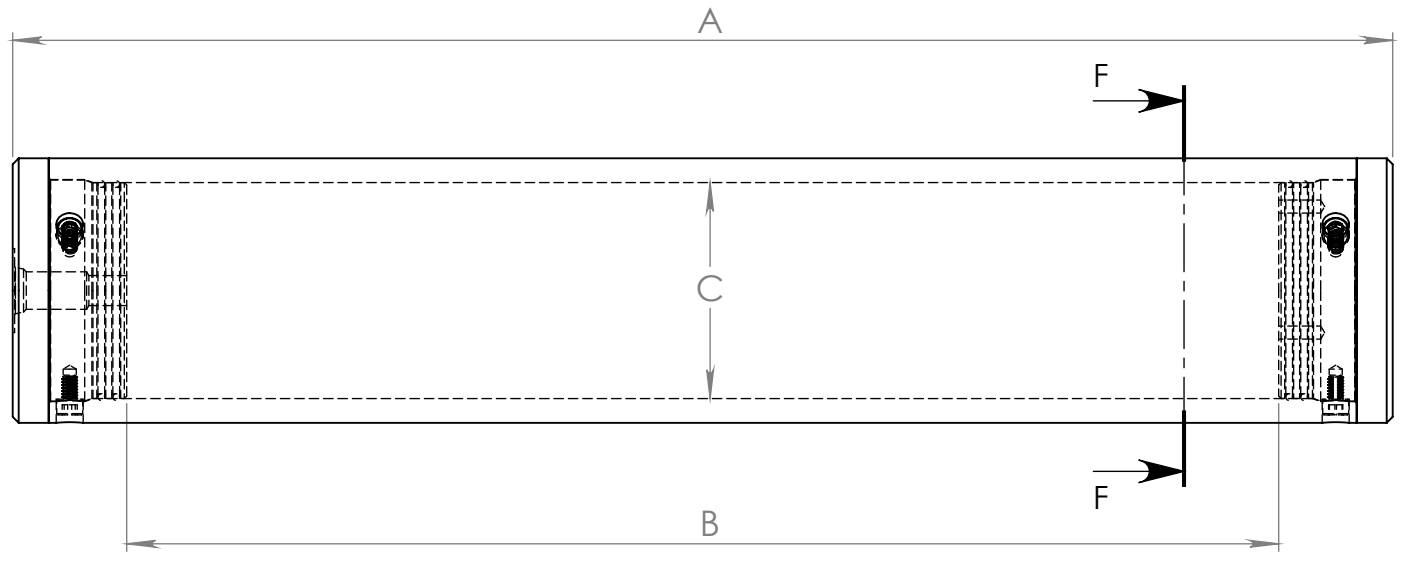
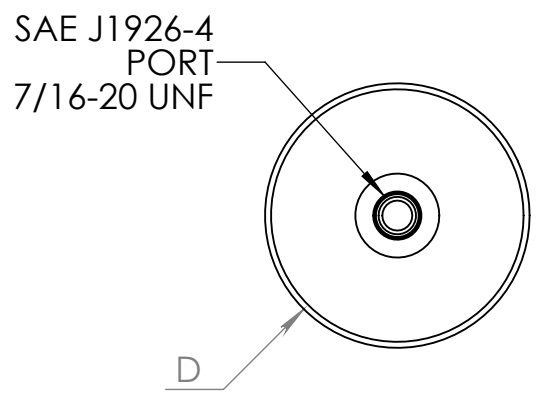
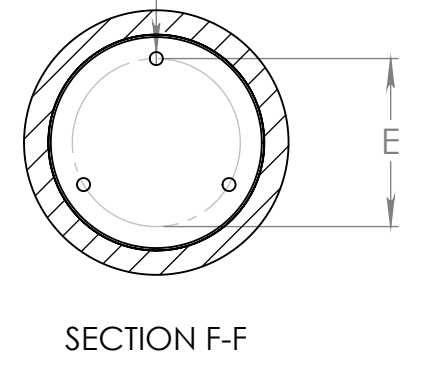


REVISIONS			
REV.	DESCRIPTION	DATE	INITIAL
00	INITIAL RELEASE	5/15/19	--



3 x 8-32 UNC ∇ 0.375  
EQUALLY SPACED



MODEL NO.	DIMENSIONS				
	A	B	C	D	E
19-057-A-120	6.375	4	2.25	2.76	1.75
19-057-A-121	10.375	8			
19-057-A-122	14.375	12			

NOTES:

1. PLASTIC ENDCAP (ACETAL): 200 METER DEPTH RATING
2. STAINLESS STEEL ENDCAP (316): 1500 METER DEPTH RATING
3. TUBE BODY: FIBER REINFORCED PLASTIC
4. CUSTOM LENGTHS, MATERIALS, COLORS AND CONNECTOR PENETRATIONS AVAILABLE AT ADDITIONAL COST.

**PROPRIETARY AND CONFIDENTIAL**  
THE INFORMATION CONTAINED IN THIS DRAWING IS THE SOLE PROPERTY OF PRECISE DESIGN ENGINEERING SOLUTIONS. ANY REPRODUCTION IN PART OR AS A WHOLE WITHOUT THE WRITTEN PERMISSION OF PRECISE DESIGN ENGINEERING SOLUTIONS IS PROHIBITED.

DIMENSIONS ARE IN INCHES  
TOLERANCES:  
FRACTIONAL ± 1/32"  
ANGULAR: MACH ± .5° BEND ± .5°  
TWO PLACE DECIMAL ± .01  
THREE PLACE DECIMAL ± .005  
DO NOT SCALE DRAWING

	NAME	DATE
DRAWN	-	05/15/19
CHECKED		
ENG APPR.		
MFG APPR.		
Q.A.		

**Precise Design** ENGINEERING SOLUTIONS  
75 MacDonald Ave  
Unit 10A  
Dartmouth, NS  
B3B 1T8  
[www.Precisedesign.ca](http://www.Precisedesign.ca)

DESCRIPTION: <b>2.25" TUBE ASSEMBLY</b>		
SIZE <b>B</b>	DWG. NO. <b>A-120 PRO</b>	REV. <b>0.0</b>
SCALE: 1:2	WEIGHT:	SHEET 1 OF 1