

8

7

6

5

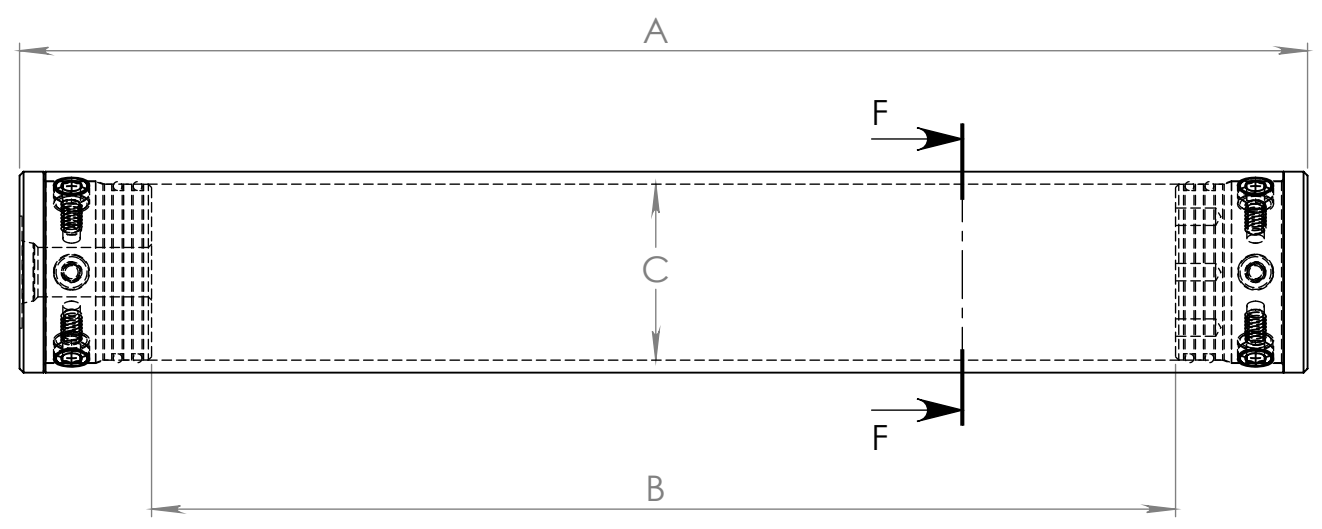
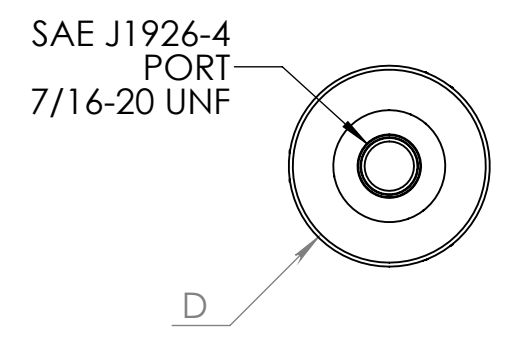
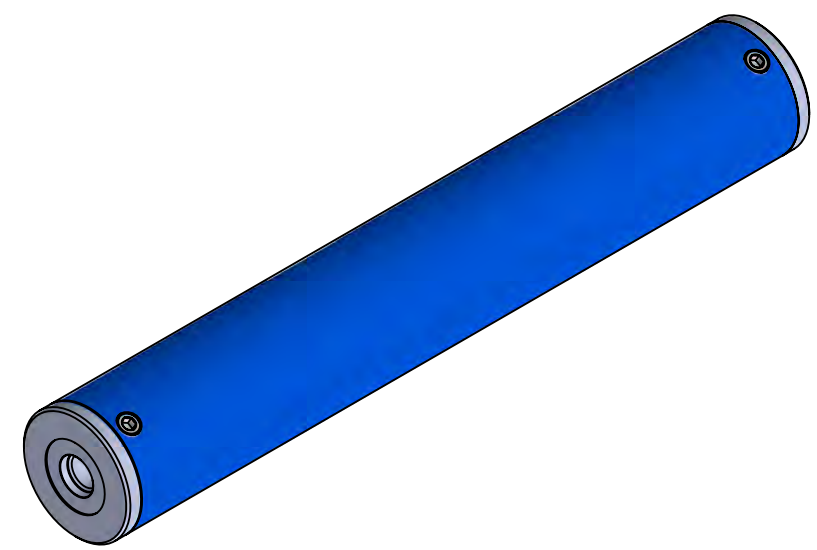
4

3

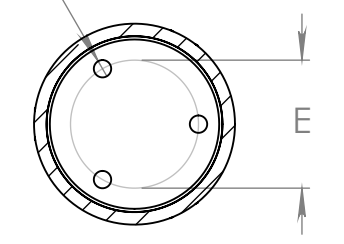
2

**REVISIONS**

REV.	DESCRIPTION	DATE	INITIAL
00	INITIAL RELEASE	05/15/19	--



3 x 8-32 UNC  $\nabla$  0.250  
EQUALLY SPACED



SECTION F-F

MODEL NO.	DIMENSIONS				
	A	B	C	D	E
19-057-A-130	6.63	4.00	1.38	1.57	1.00
19-057-A-131	10.63	8.00			
19-057-A-132	14.63	12.00			

NOTES:

1. PLASTIC ENDCAP (ACETAL): 200 METER DEPTH RATING
2. STAINLESS STEEL ENDCAP (316): 1500 METER DEPTH RATING
3. TUBE BODY: FIBER REINFORCED PLASTIC
4. CUSTOM LENGTHS, MATERIALS, COLORS AND CONNECTOR PENETRATIONS AVAILABLE AT ADDITIONAL COST.

**PROPRIETARY AND CONFIDENTIAL**  
THE INFORMATION CONTAINED IN THIS DRAWING IS THE SOLE PROPERTY OF PRECISE DESIGN ENGINEERING SOLUTIONS. ANY REPRODUCTION IN PART OR AS A WHOLE WITHOUT THE WRITTEN PERMISSION OF PRECISE DESIGN ENGINEERING SOLUTIONS IS PROHIBITED.

DIMENSIONS ARE IN INCHES  
TOLERANCES:  
FRACTIONAL  $\pm 1/32"$   
ANGULAR: MACH  $\pm .5^\circ$  BEND  $\pm .5^\circ$   
TWO PLACE DECIMAL  $\pm .01$   
THREE PLACE DECIMAL  $\pm .005$   
DO NOT SCALE DRAWING

NAME	DATE	 75 MacDonald Ave Unit 10A Dartmouth, NS B3B 1T8 <a href="http://www.Precisedesign.ca">www.Precisedesign.ca</a>
DRAWN	05/015/19	
CHECKED		
ENG APPR.		
MFG APPR.		COMMENTS: DESCRIPTION: <b>1 3/8" TUBE ASSEMBLY</b>
Q.A.		
SIZE	DWG. NO.	REV.
<b>B</b>	<b>A-130 PRO</b>	<b>0.0</b>
SCALE:2:3	WEIGHT:	SHEET 1 OF 1

8

7

6

5

4

3

2

1